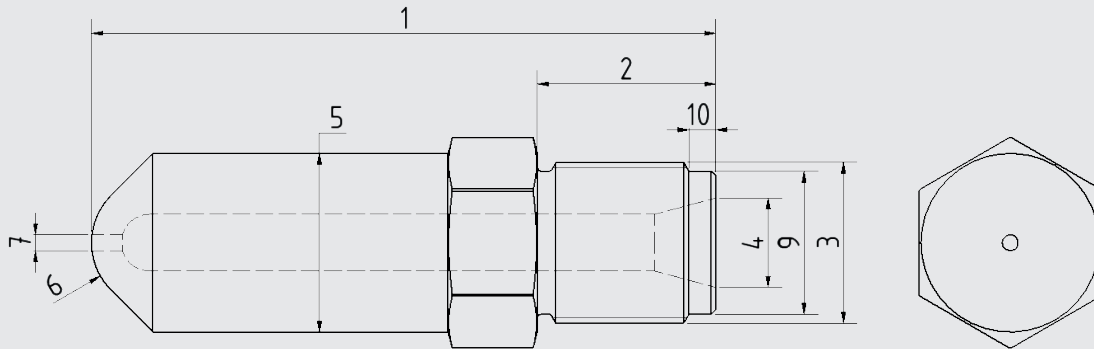
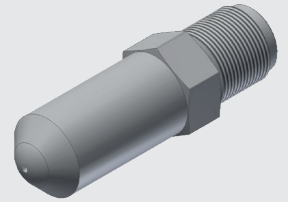


SOLID ONE-PIECE NOZZLE

Order form



Machine and Model

Injection rate

in cm³/s

(1) Total length

(2) Thread Length

(3) Thread Type

(M36x2 or 1"1/4-12UNF,...)

(4) Rear opening

(5) Diameter

(25 mm, 38 mm, 50 mm)

(6) Radius

(12,7mm, 15mm, 19mm, 35 mm...)

(7) Opening (1.5, 2.5, 3, 4,)

(8) Internal Design

- Universal (GP)
 Polyamid (NRT)
 ABS (ABS)

(9) Ø relief

(10) Relief length

All nozzles are polished with great care. These order forms are available for all our solid nozzle. We also do any type of nozzle with a plan.